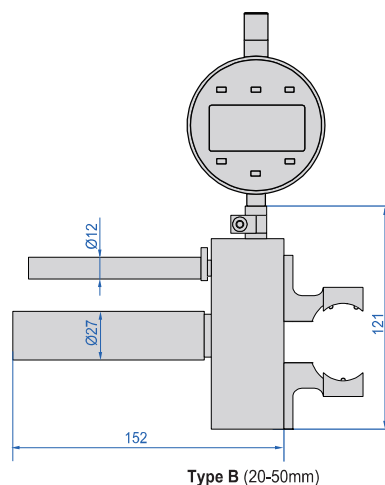
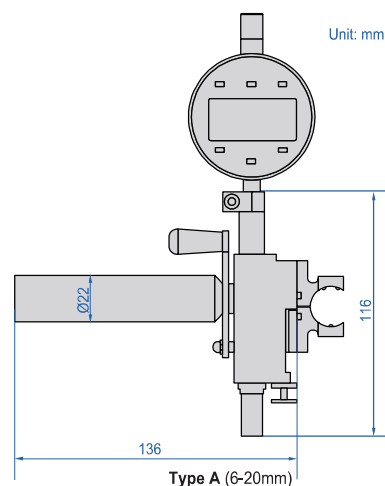
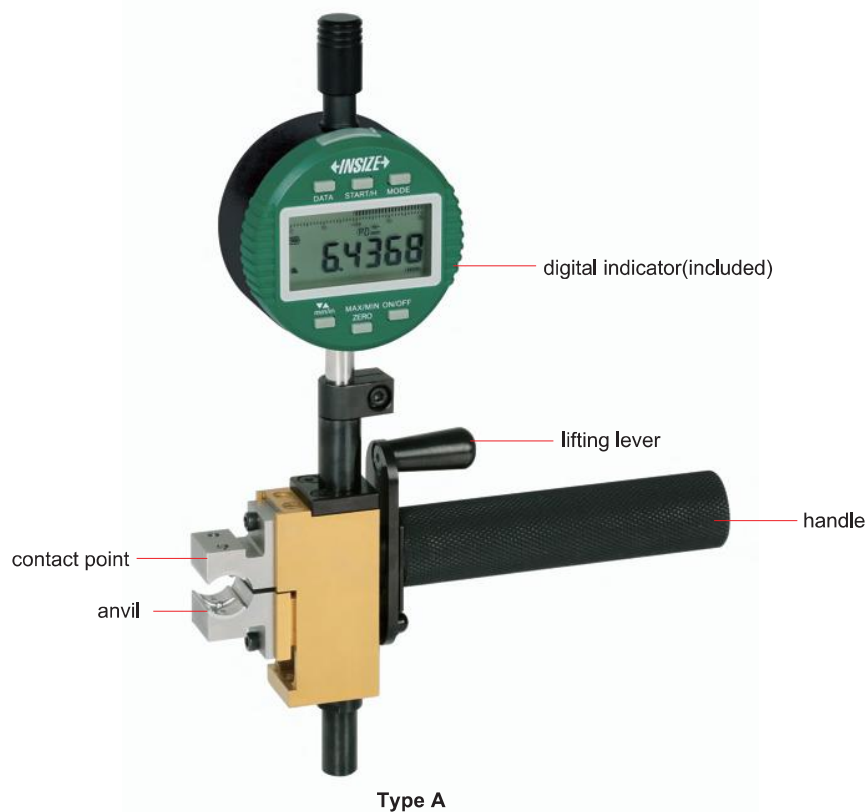


BALL SCREW PITCH CIRCLE DIAMETER COMPARATORS

PROBE AND CALIBRATION PLUG GAUGE
NEED TO BE CUSTOMIZED ACCORDING TO WORKPIECE

DATA
OUTPUT



- Measuring pitch circle diameter of ball screws
- Probe and calibration plug gauge need to be customized according to workpiece
- Adjustable resolution: 0.0005mm/0.0002"
0.001mm/0.0005"
0.01mm/0.0005"
- Digital indicator with absolute encoder, the original data remains after power off
- Digital indicator button function: data output, tolerance, data preset, data hold, measuring direction change, max./min./TIR, power off time, on/off, mm/inch, resolution adjustment
- Digital indicator power: rechargeable battery, for 24 hours continuous working
- Optional accessory: wireless transmitter (code 7315-60, receiver is needed)

Code	Range	Contact point opening range	Effective stroke of anvil	Accuracy*	Repeatability
2677-A□□□□□	6-20mm	6mm	0.1mm	0.005mm	0.002mm
2677-B□□□□□	20-50mm	15mm	0.1mm	0.005mm	0.002mm

*Within the effective stroke of the anvil, the accuracy meets 0.005mm

Code examples:

Code	Pitch circle diameter to be measured
2677-A12D3	12.3mm
2677-B28D5	28.5mm

Attention: "D" stands for "."